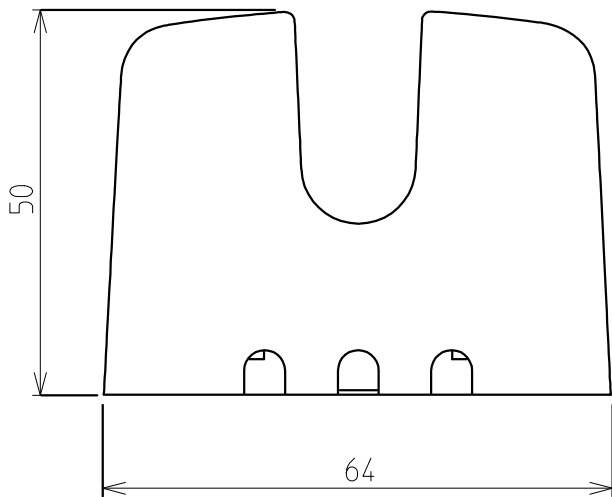
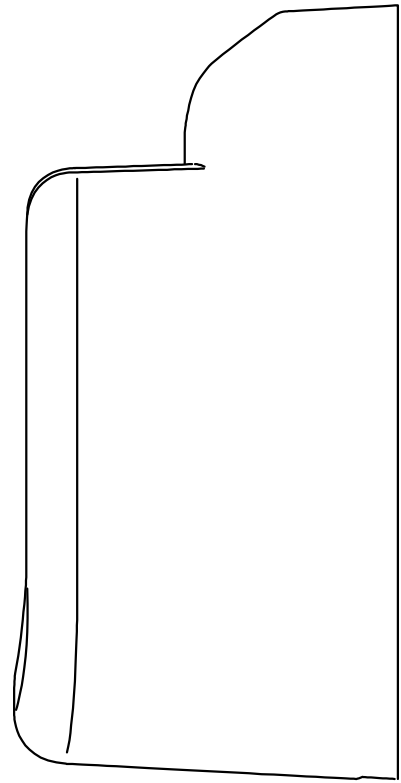
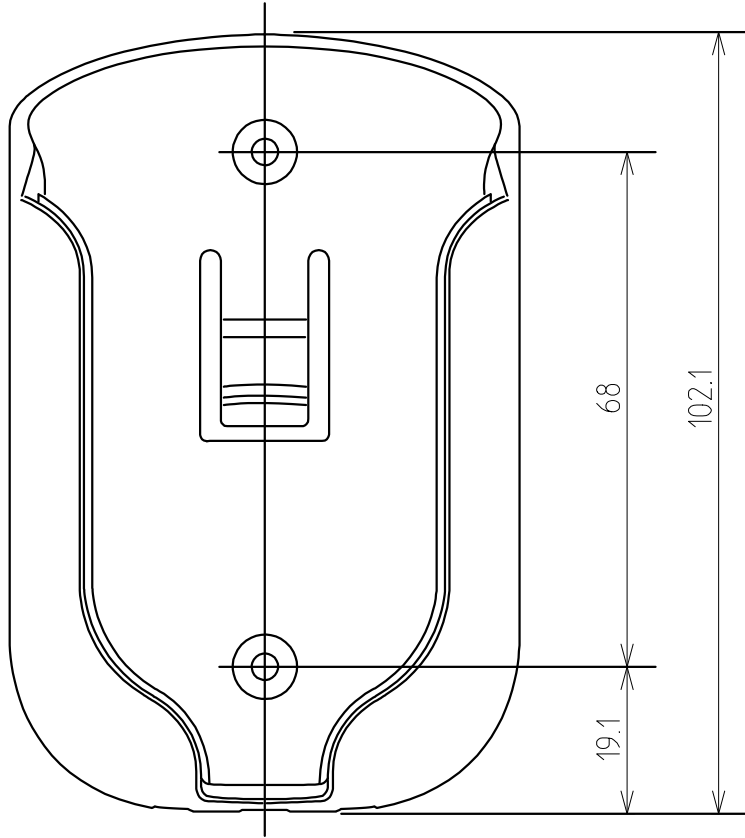


SYM	DATE	NOTES	ISSUED	APPROVED	TOLERANCE				
					CLASS	A	B	C	D
△1									
△2									
△3									
					DIVISION				
					≤ 5	±0.07	±0.1	±0.15	±0.2
					5 < ≤ 20	±0.1	±0.15	±0.2	±0.3
					20 < ≤ 50	±0.15	±0.2	±0.3	±0.4
					50 < ≤ 100	±0.2	±0.3	±0.4	±0.6
					100 <	±0.3	±0.5	±0.6	±1.0
					ANGLE	±20'	±40'	±1' 30"	±3'



No.	PARTS No.	QTY	MATERIAL	FINISH	REMARK
DATE	MATERIAL	FINISH	MODEL	PARTS CODE	
03-10-16				PARTS NAME	
3RD ANGLE PROJECTION	SCALE	DRAWN BY	CHK.D BY	APRVD BY	DRAWING No.
	1 : 1				SHEET
KANEMATSU CORPORATION					