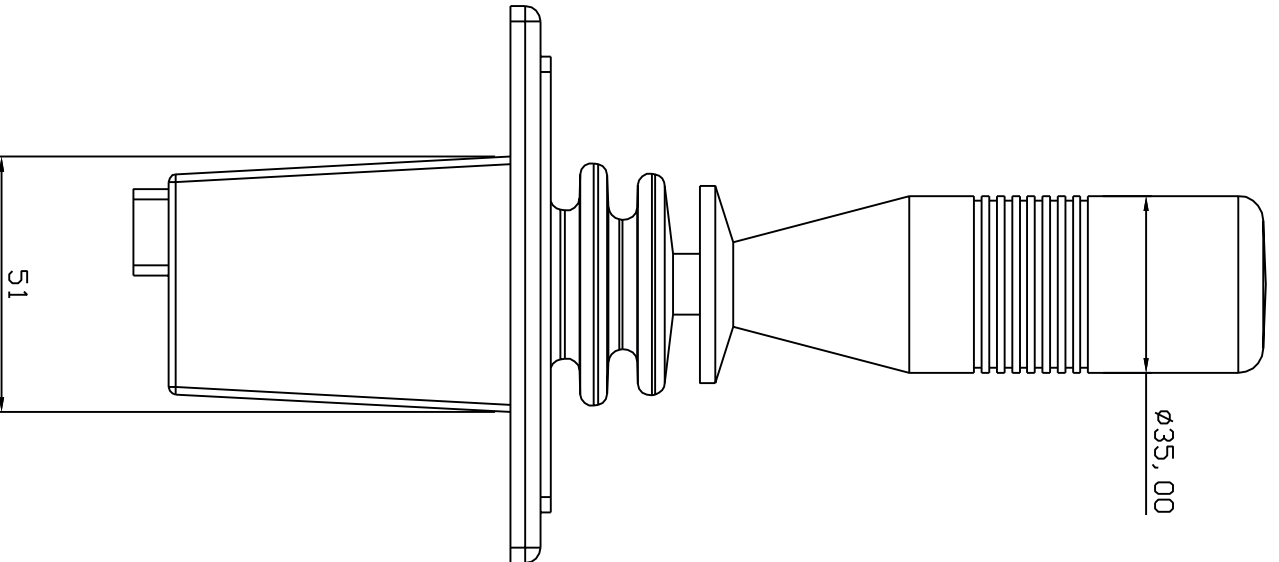
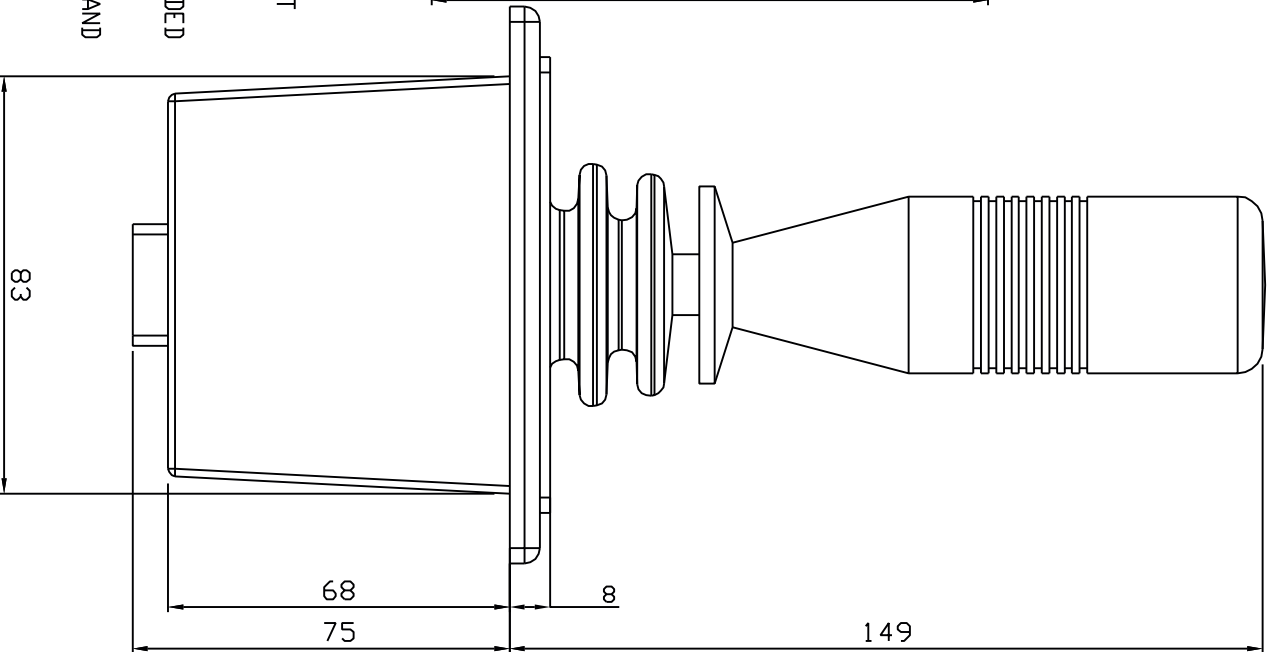


M4, 4 HOLES

- NOTES:
- 1) FOR INFORMATION ON CONNECTIONS AND PRODUCT SPECIFICATIONS, PLEASE REFER TO HANDBOOK, PRODUCT SUPPORT AND WORKSHOP MANUALS.
  - 2) FOR ANY DIMENSIONAL INFORMATION NOT INCLUDED PLEASE CONTACT YOUR SALES REPRESENTATIVE.
  - 3) DIMENSIONS SHOWN ARE ACTUAL PRODUCT SIZE AND DO NOT INCLUDE ANY CLEARANCE DATA.

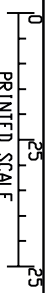


Ø35,00



THE INFORMATION CONTAINED HEREIN SHALL NOT BE REPRODUCED WITHOUT THE PERMISSION OF RAYMARINE LTD

©2001 RAYMARINE LTD



PRINTED SCALE  
DRAWN TO BS308 DO NOT SCALE - IF IN DOUBT ASK

DR. N. B. GARNETT DATE: 6-Aug-03  
DIMENSIONS IN MM SCALE: 1:1

TITLE JOYSTICK

DRAWING No. CU\_JOYSTICK