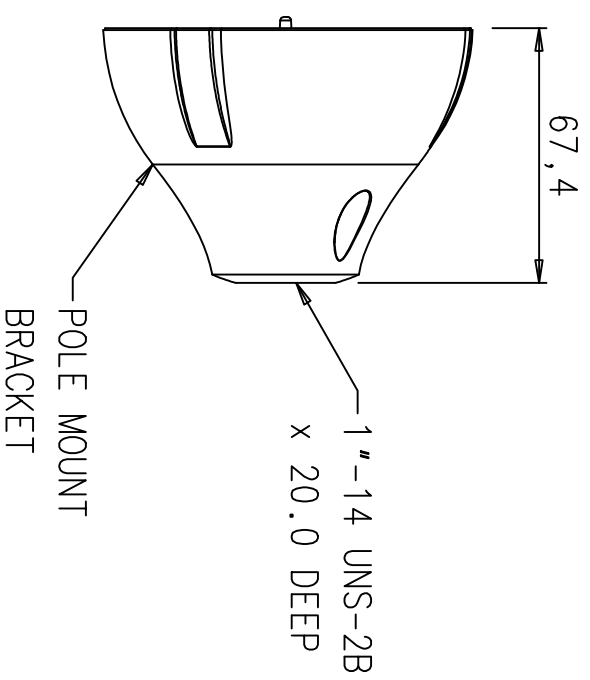
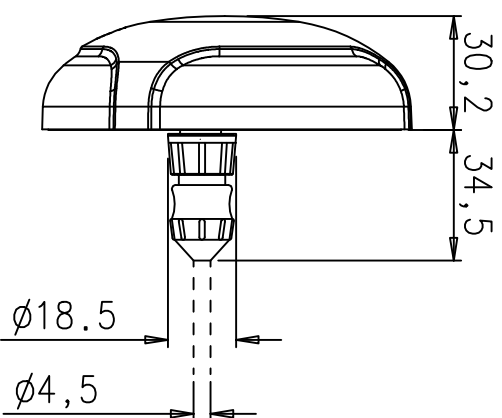
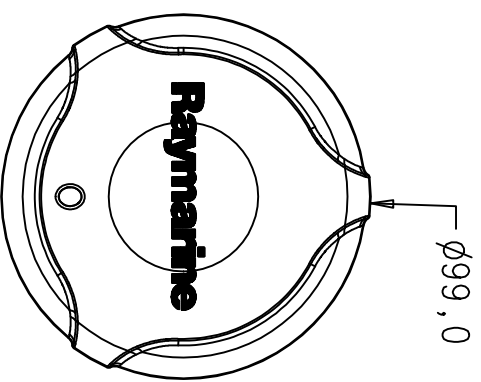
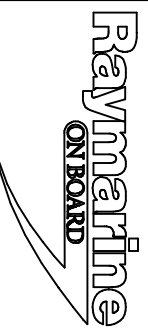


NOTES:

- 1) FOR INFORMATION ON CONNECTIONS AND PRODUCT SPECIFICATIONS, PLEASE REFER TO HANDBOOK, PRODUCT SUPPORT AND WORKSHOP MANUALS.
- 2) FOR ANY DIMENSIONAL INFORMATION NOT INCLUDED PLEASE CONTACT YOUR SALES REPRESENTATIVE.
- 3) DIMENSIONS SHOWN ARE ACTUAL PRODUCT SIZE AND DO NOT INCLUDE ANY CLEARANCE DATA.

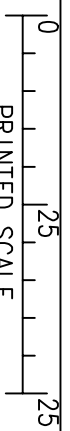


RAYSTAR 125 SEATALK / NMEA



THE INFORMATION CONTAINED HEREIN SHALL NOT BE REPRODUCED WITHOUT THE PRIOR WRITTEN PERMISSION OF RAYMARINE LTD

© 2001 RAYMARINE LTD



PRINTED SCALE

DRAWN TO BS308 DO NOT SCALE - IF IN DOUBT ASK

DR.'N.	R.P.S	DATE: 20.07.04
DIMENSIONS IN MM		SCALE: 1:2

TITLE RAYSTAR 125
DRAWING No. GPS_125