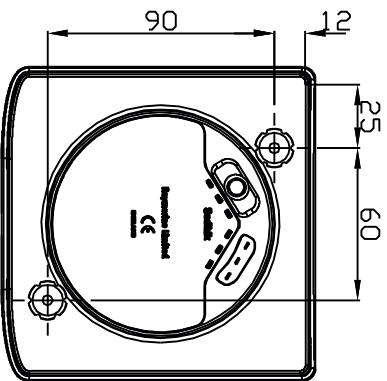
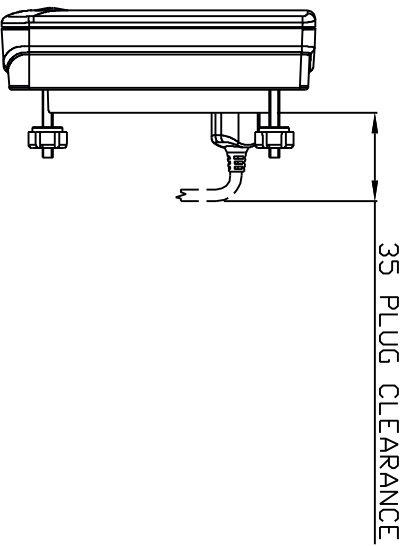
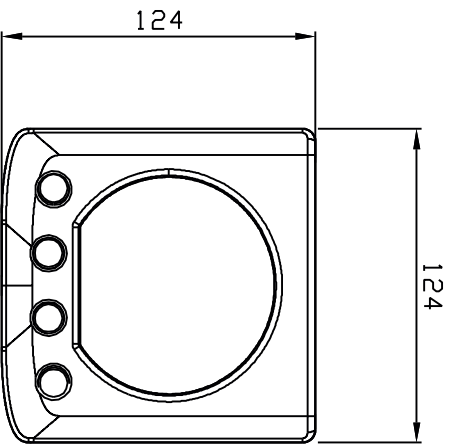
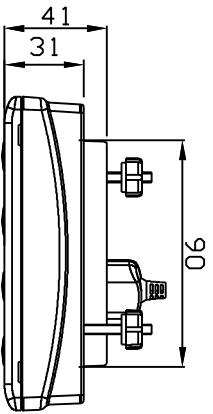


NOTES:

- 1) FOR INFORMATION ON CONNECTIONS AND PRODUCT SPECIFICATIONS, PLEASE REFER TO HANDBOOK, PRODUCT SUPPORT AND WORKSHOP MANUALS.
- 2) FOR ANY DIMENSIONAL INFORMATION NOT INCLUDED PLEASE CONTACT YOUR SALES REPRESENTATIVE.
- 3) DIMENSIONS SHOWN ARE ACTUAL PRODUCT SIZE AND DO NOT INCLUDE ANY CLEARANCE DATA.



Raymarine
ONBOARD

THE INFORMATION CONTAINED HEREIN SHALL NOT BE REPRODUCED WITHOUT THE PRIOR WRITTEN PERMISSION OF RAYMARINE LTD

0 25 25
PRINTED SCALE

DRAWN TO BS308 DO NOT SCALE - IF IN DOUBT ASK

DR. N. G. I. P. DATE: 21/01/03 SCALE: 1:2 & 1:5

TITLE ST290 DISPLAYS

DRAWING No. D_ST290ANA

