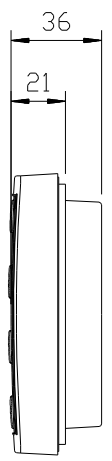
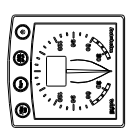


1 2 3 4 5 6 7 8

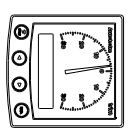


- NOTES:
- 1) FOR INFORMATION ON CONNECTIONS AND PRODUCT SPECIFICATIONS, PLEASE REFER TO HANDBOOK, PRODUCT SUPPORT AND WORKSHOP MANUALS.
 - 2) FOR ANY DIMENSIONAL INFORMATION NOT INCLUDED PLEASE CONTACT YOUR SALES REPRESENTATIVE.
 - 3) DIMENSIONS SHOWN ARE ACTUAL PRODUCT SIZE AND DO NOT INCLUDE ANY CLEARANCE DATA.

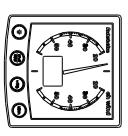
ST80 WIND DISPLAY



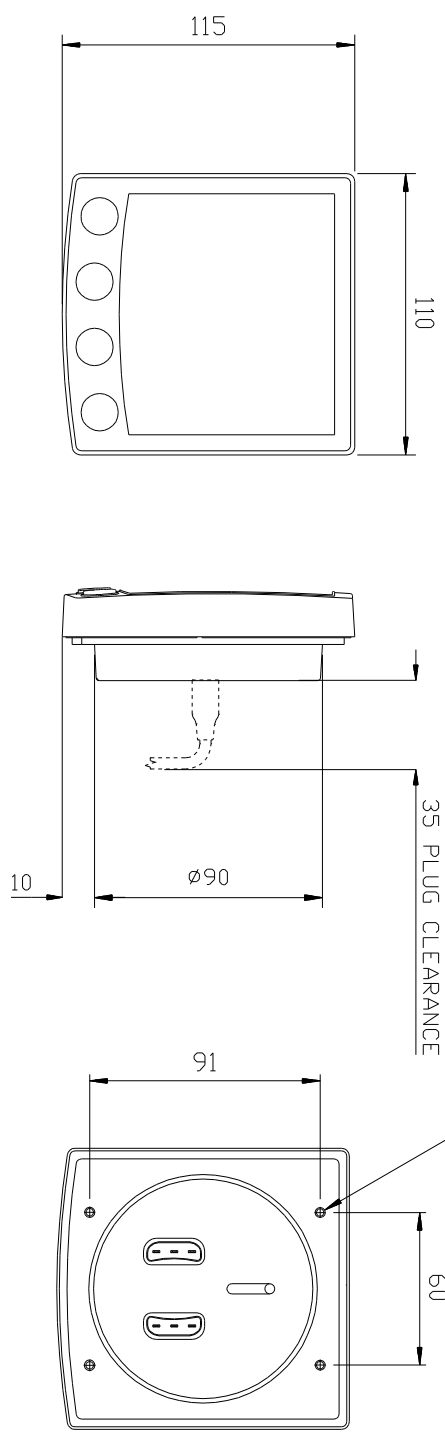
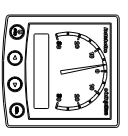
ST80 MULTIRIM DISPLAY



ST80 CH/V/MG DISPLAY



ST80 COMPASS DISPLAY



THE INFORMATION CONTAINED HEREIN SHALL NOT BE REPRODUCED IN WHOLE OR IN PART WITHOUT THE PRIOR KNOWLEDGE BY RAYTHEON MARINE



DRAWN TO BS308 DO NOT SCALE - IF IN DOUBT ASK

DRN: S.GARDNER DATE: 16/12/98
DIMENSIONS IN MM SCALE: 1:2 & 1:5

TITLE ST 80 ANALOGUE DISPLAYS
DRAWING No. D_80A

H A G F E D C B A